

# Data Sheet

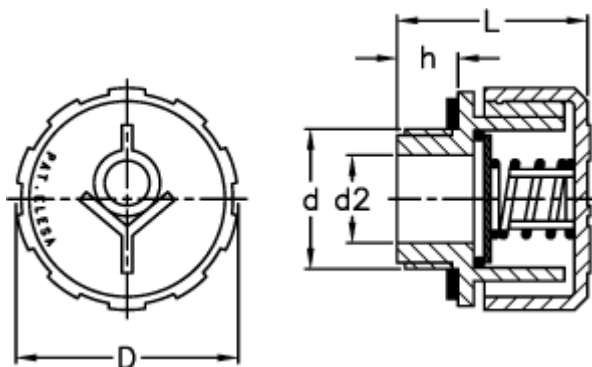


Article number: 2311054611

Description: E+G Valve breather cap  
SFV.16x1.5-10 mb

## Measures

---



$D = 31$

$d = M16 \times 1,5$

$d2 = 10$

$h = 9.5$

$L = 29.5$